

# SY-504 FULL AUTO TYING MACHINE

for carton of automatical in-line procession

## ★ FEATURES

- This tying machine is operated simply without any technician.
- You may save lots of time and label cost during the operation because of equipping with the motorized conveyor in front of the tying machine.
- The torque limiter is installed inside the shaft of the driving motor for the safety concerned. It's much safer and won't cause any damage inside your machine owing to the wrong operation while the motor Idles in operation.
- The size of your carton boxes and paper boards can be adjusted randomly any time.
- The new piece of design has been awarded a patent by the CNS bureau (patent no.31317), which is Taiwan Chinese National Standard belonging to Taiwan Government Authority.
- This machine is equipped with #50 PE tying tape and the tying process is fully automatic.
- The SY-504 are built to last performing simplicity, precision, and efficiency.



## ★ SPECIFICATIONS

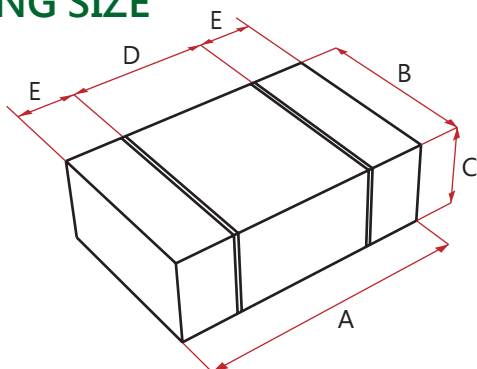
Model	SY-504
Power	4HP (AC220V/380V 50/60Hz 3Pole)
Tying capacity	18~20 times/min.
Required air Pressure	4-6kg/cm <sup>2</sup>
Machine size	2800 x 2100 x 1980mm
Measurement	2900 x 1100 x 2200mm x 2 Sets
N.W. / G.W.	1800kgs / 2000kgs
Auto PE tying	#50



Remarks :

Specifications listed above are for refere only and be subjected to changes without any prior notice.

## ★ TYING SIZE



Item	A	B	C	D	E
Max	1300	1200	280	1000	150
Min	380	255	50	290	50

Unit : mm

TW SHENG YUAN MACHINERY CO.,LTD. No.51, Lane 221, Jen Hwa Rd., Tali, Taichung 412, Taiwan R.O.C.  
Tel: +886-4-2491-6575 Fax: +886-4-2491-6576

<http://www.sy-tyingmachine.com.tw/>  
Email [support@sy-tyingmachine.com.tw](mailto:support@sy-tyingmachine.com.tw)